

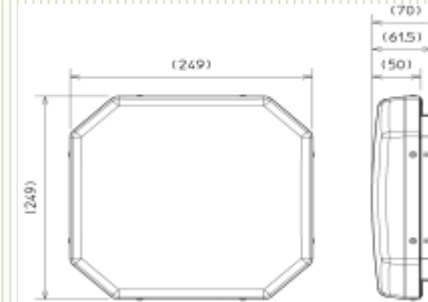
# TV Broadcast Retransmission Antenna

small size, light weight, easy mounting

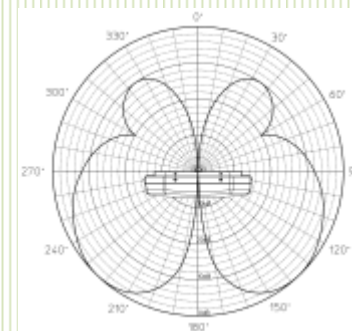
## Specifications

<b>Frequency</b>	<b>470~710MHz</b>
<b>Directivity</b>	<b>Horizontal Plane Omnidirectional</b>
<b>Polarization</b>	<b>Vertical</b>
<b>Gain</b>	<b><math>\geq 0</math> dBi (at peak direction)</b>
<b>V S W R</b>	<b><math>\leq 2.0</math></b>
<b>Impedance</b>	<b>50<math>\Omega</math> (nominal)</b>
<b>Power</b>	<b>10W (max)</b>
<b>Connector</b>	<b>N-J</b>
<b>Weight</b>	<b>Approx. 1kg</b>

Measurement condition with 0.6m  $\times$  0.6m ground plate



Outline View



Directivity Characteristic (V-Plane)